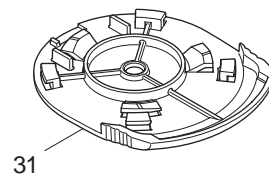
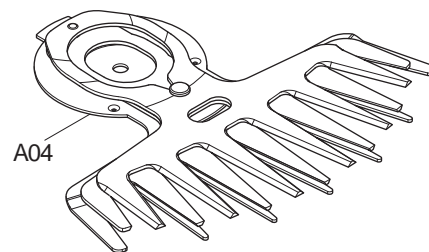
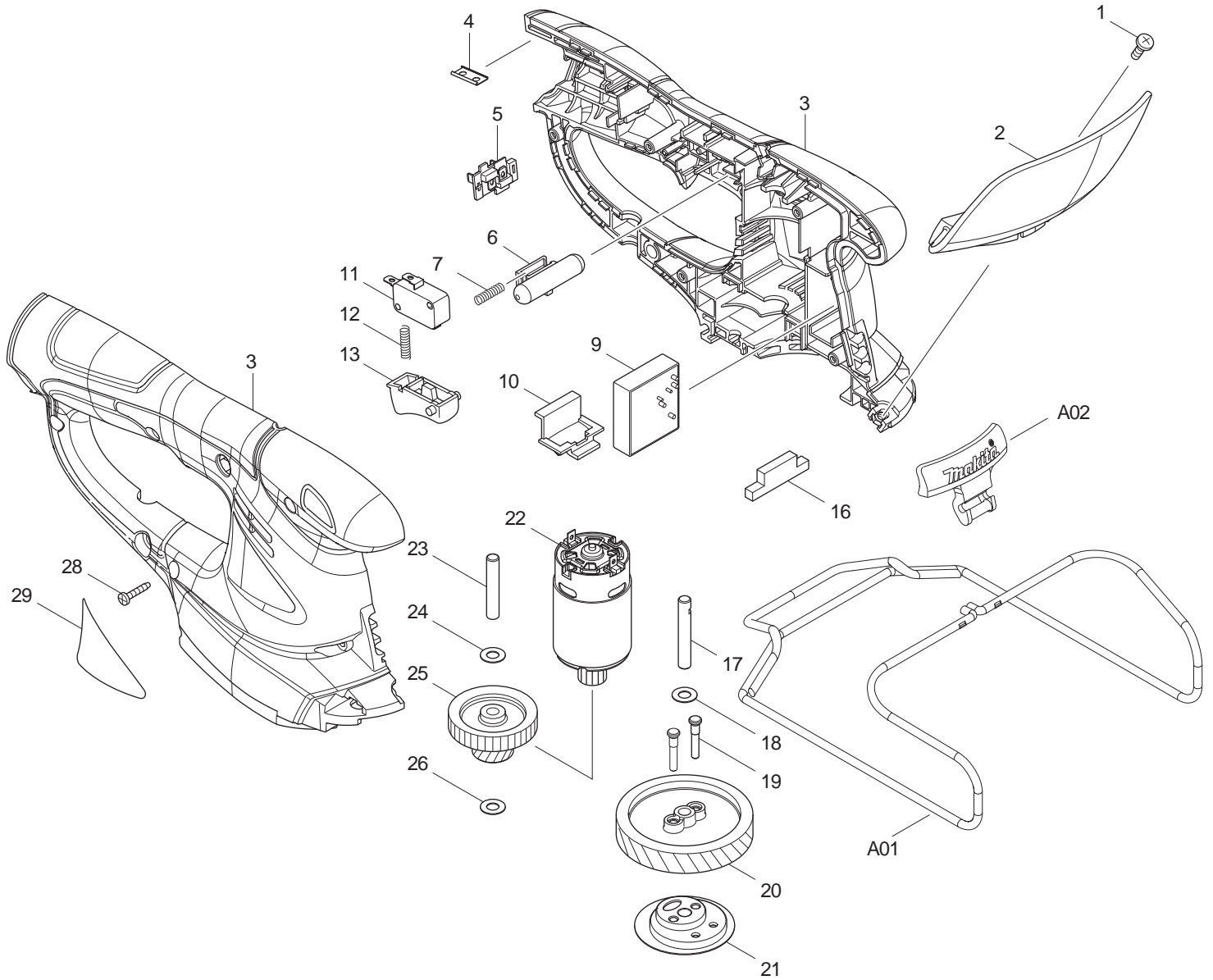




10 - 2010
MU01Z
12V GRASS CUTTER



Item No	Type	Sub	Part No	Description	Qty	Unit
001			915116-7	BINDING HEAD SCREW M4X12	1	PC.
002			140599-4	PROTECTOR COMPLETE	1	PC.
		INC.	819948-3	CAUTION LABEL	1	PC.
003			188830-0	HOUSING SET	1	SET
		INC.	931102-0	HEX. NUT M4	1	PC.
		INC.	346275-0	PLATE	2	PC.
004			345998-7	SET PLATE	1	PC.
005			643817-4	TERMINAL	1	PC.
006			452438-9	LOCK OFF BUTTON	1	PC.
007			231473-8	COMPRESSION SPRING 4	1	PC.
009			135384-8	CONTROLLER ASSY	1	PC.
		INC.	654069-2	RECEPTACLE	4	PC.
010			451812-8	LOCK LEVER	1	PC.
011			651944-3	SWITCH DMC-1115-13	1	PC.
012			231473-8	COMPRESSION SPRING 4	1	PC.
013			417564-1	SWITCH LEVER	1	PC.
016			451814-4	DUST GUARD	1	PC.
017			268254-7	PIN 6	1	PC.
018			261122-3	WASHER 6	1	PC.
019			268256-3	PIN 4	2	PC.
020			227728-7	HELICAL GEAR 47	1	PC.
021			165609-6	CRANK COMPLETE	1	PC.
022			629877-0	DC MOTOR	1	PC.
023			268076-5	PIN 6	1	PC.
024			261122-3	WASHER 6	1	PC.
025			226831-1	GEAR 12-31	1	PC.
026			261122-3	WASHER 6	1	PC.
028			266429-2	TAPPING SCREW 3X16	5	PC.
029			869318-6	MU01 NAME PLATE	1	PC.
031			140451-6	UNDER COVER COMPLETE	1	PC.
C01			871955-4	CARTON	1	PC.
D01			654069-2	RECEPTACLE	2	PC.

ACCESSORIES

- See catalogue or visit www.makita.ca for more accessories information -

A01			325896-1	BASE FRAME	1	PC.
A02			451813-6	CHANGE LEVER	1	PC.
A03			452055-5	BLADE COVER	1	PC.
		INC.	188369-3	OIL VESSEL SET	1	PC.
A04	1		195176-7	SHEAR BLADE ASSEMBLY F/GRASS SHEAR	1	PC.
	2		195267-4	SHEAR BLADE ASSEMBLY F/GRASS SHEAR	1	PC.
	Opt.		195178-3	SHEAR BLADE ASSEMBLY(F/Hedge Trimmer)	1	PC.
A05	2		198486-1	LONG HANDLE ATTACHMENT SET	1	PC.
A06			195332-9	12V MAX LI-ION BATTERY BL1014	1	PC.
A07			DC10WB	CHARGER DC10WB F/LI-ION 7.2, 10.8, 12V	1	PC.
A08	Opt.		195274-7	BLADE COVER SET, HEDGE TRIMMER	1	PC.
		INC.	451816-0	BLADE COVER	1	PC.
A09	Opt.		195269-0	ACCESSORY SET F/GRASS SHEAR	1	PC.
		INC.	325896-1	BASE FRAME	1	PC.
		INC.	451813-6	CHANGE LEVER	1	PC.
		INC.	452055-5	BLADE COVER	1	PC.